

**WARNING**

Please read the manual supplied carefully. Switch off the power before starting the installation. Be extremely careful and follow the instructions exactly.

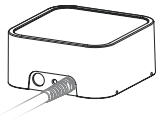


Take a look at our installation video: [juice.world/support/jcme3](http://juice.world/support/jcme3)



Product overview

\* Connected to the charging station ex works.



Charging station



Cable glands (1x large, 1x small)



Plug holder (incl. screws and dowels)



2 x RFID cards \*



Owner & Warranty Card



Ethernet or LAN cable



Screws and dowels



Screwdriver

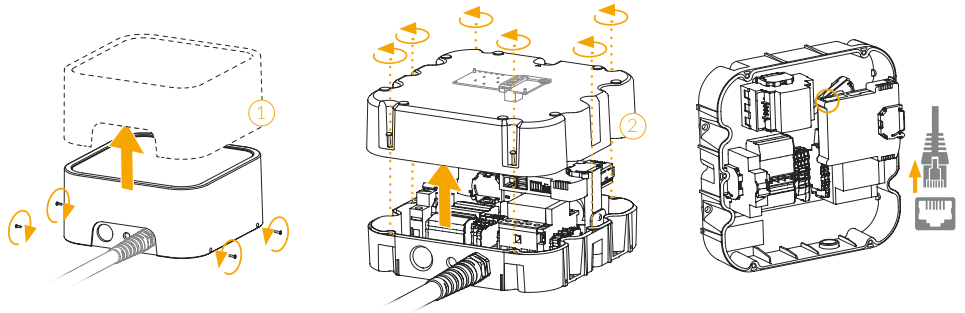


Drilling machine

For the installation you need

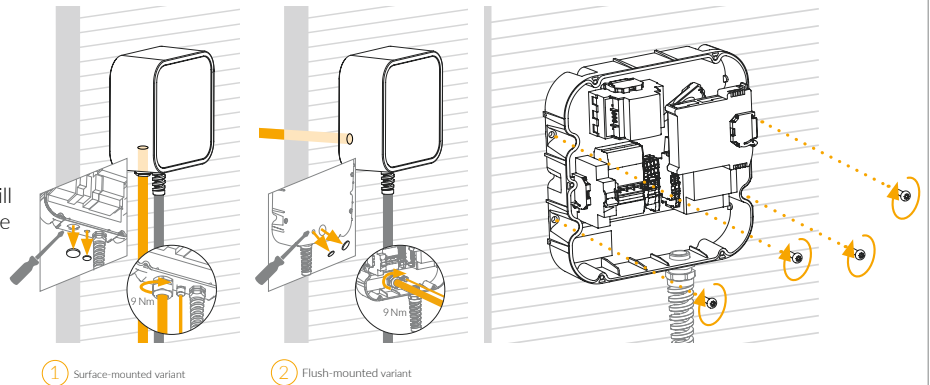
**1** Open

- Loosen the four screws on the side of the cover (1) and lift off the cover.
- Loosen the six screws on the inner housing (2) and lift the upper part.
- Unplug the Ethernet cable connected to the cover from the JUICE CHARGE CONTROLLER and remove the cover completely.



**2** Preparation and assembly

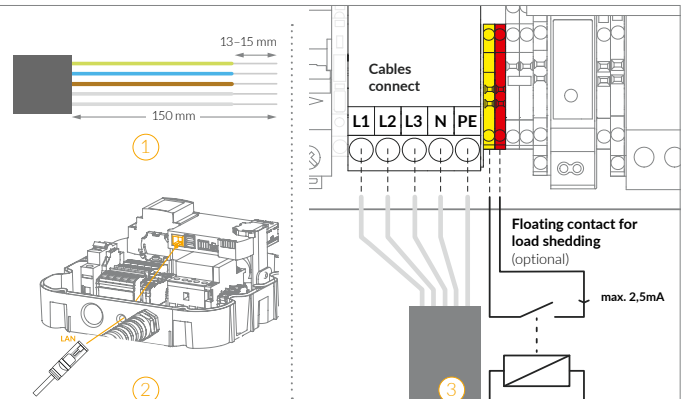
- Decide whether you want to surface-mount (1) or flush-mount (2) the charging station.
- Select the relevant cable glands for the selected variant.
- Determine the mounting height and drill the holes using the drilling template (on the back of these instructions).
- Attach the charging station to a stable wall with sufficient load-bearing capacity or the separately available pedestal. Use suitable wall plugs and screws for mounting (no countersunk screws). Tighten the screws well, but not too tightly (max. 3 Nm).



**Important:** The mounting surface should cover the entire rear of the appliance. Recommended installation height: 130-140 cm. Recommended height for accessibility: 80-95 cm.

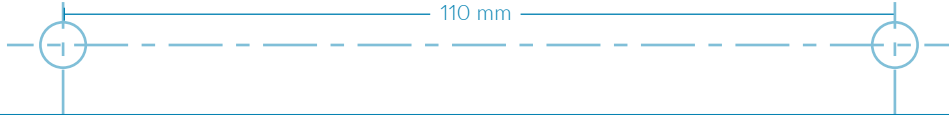
**3** Connection

- Strip each wire so that 13-15 mm of copper is exposed (Figure 1).
- Connect the LAN cable as shown in Figure 2. \*
- Feed the supply cable through the cable gland into the inner housing and connect it to the spring-loaded terminal in accordance with the locally applicable standards.
- Tighten the cable gland with a torque of 9 Nm.
- If you want to set up load shedding, refer to Figure 3 and Chapter 18 in the manual supplied.



\* We recommend connecting the station to the Internet via LAN for stability reasons. If you still want to connect the station to the Internet via WLAN, you can download the update tool on your laptop at [juice.world/support/jcme3](http://juice.world/support/jcme3), open the programme and click on advanced settings at the bottom right. Then connect your laptop to the JUICE CHARGE CONTROLLER using a micro USB. If the USB connection is established and your laptop has an active internet connection, both dots in the top right-hand corner will be green. Then click on Configure network and enter the access data for your WLAN network under WLAN. Make sure that you have entered everything correctly and then click Next. Repeat this for all stations that you want to connect to the Wi-Fi.

Drilling template

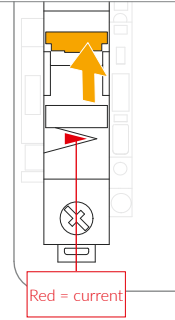
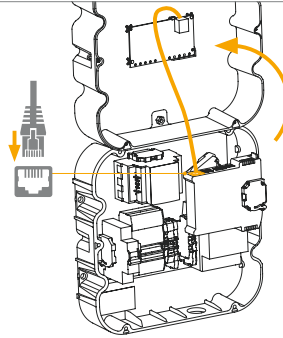


Alignment  
JUICE CHARGER me 3:



4 Commissioning

- 1 Place the cover of the inner housing on top of the assembled inner housing.
- 2 Reconnect the previously unplugged Ethernet cable to the JUICE CHARGE CONTROLLER.
- 3 Switch on the circuit breaker.
- 4 Caution: Switch on the power to the supply line.



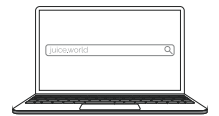
5 Onboarding

The station is now ready for onboarding in the JUICE DASHBOARD. You can do this either at using the j+ pilot app, which can be found in your mobile phone's app store, or in the browser at [dashboard.juice.world](https://dashboard.juice.world).

- 1 Create an account and log in.
- 2 Click on the + symbol and scan the Owner Card.

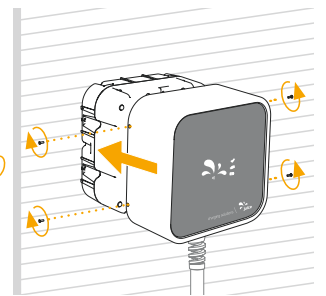
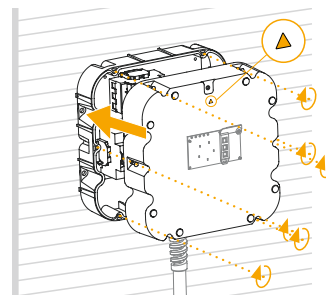
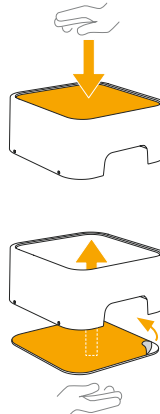
And the station is already integrated in the dashboard. You can now configure the station from anywhere.

We explain how to do this at [juice.world/support/jcme3](https://juice.world/support/jcme3) ►



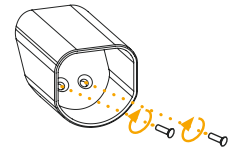
6 Completion

- 1 Pull the cover apart slightly and push the disc out of the frame from above.
- 2 Peel off the protective film and carefully press the disc back into the frame until it clicks into place.
- 3 Place the cover of the inner housing on the back plate, paying attention to the alignment.
- 4 Tighten the six screws of the inner housing. We recommend a torque of 3 Nm.
- 5 Place the cover on the inner housing and tighten the four screws on the cover.



7 Plug-in garage

Fit the supplied plug holder using the two screws and plugs provided. We recommend installing it directly next to the charging station. If in doubt, ask the future user.



8 Examination

At the end, take a final test in accordance with the locally applicable standards and the regulations of the energy supplier.

**Note:** To start the charging process, you may need to activate the station with one of the RFID cards supplied.



9 handover

Once you have completed the installation and configuration, you transfer the owner card and thus also the rights to the owner. They will onboard the station in the app and take over the station.

